





DO Protections

DO FUSE LINKS AND ACCESSORIES	86-87
DO FUSE HOLDERS AND ACCESSORIES	88-89
TECHNICAL DATA	90-91



DO Protections

DO Fuse links and Accessories

gL/gG

DO fuse links gG class for use as general protection against overloads and short circuits, intended as domestic protection or in some industrial equipment. They are available in three sizes DO1, DO2 and DO3 with ratings from 2A to 100A and rated voltage of 400V AC (250V DC). The DO fuse links have a indicator device. Manufactured according IEC, EN and VDE standards, with ceramic body and copper or brass contact caps.

DO FUSE LINKS

SIZE	I_n (A)	REFERENCE	U (V)	BREAKING CAPACITY (kA)	THREAD	PACKING
DO 1	2	201102	400	50	E 14	10
	4	201104	400	50	E 14	10
	6	201106	400	50	E 14	10
	10	201110	400	50	E 14	10
	16	201116	400	50	E 14	10



DO 2	20	201120	400	50	E 18	10
	25	201125	400	50	E 18	10
	35	201135	400	50	E 18	10
	50	201150	400	50	E 18	10
	63	201163	400	50	E 18	10



DO 3	80	201180	400	50	M 30	10
	100	201100	400	50	M 30	10



STANDARDS IEC 60269-1 · IEC 60269-3 · IEC 60269-3-1 · EN 60269-1 · EN 60269-3 · VDE 0636

Dimensions pag. 90
t-I Characteristics pag. 91

GAUGE RINGS

SIZE	I _n	REFERENCE	THREAD	PACKING
	(A)			
DO 1	2	220102	E 14	5
	4	220104	E 14	5
	6	220106	E 14	5
	10	220110	E 14	5
DO 2	20	220120	E 18	5
	25	220125	E 18	5
	35	220135	E 18	5
	50	220150	E 18	5



ADAPTER RINGS (for use DO 1 fuse links in DO 2 fuse holders)

SIZE	I _n	REFERENCE	PACKING
	(A)		
DO 1	2	220202	5
	4	220204	5
	6	220206	5
	10	220210	5
	16	220216	5



RETAINING SPRING (for use DO 1 fuse links in DO 2 fuse holders)

SIZE	I _n	REFERENCE	PACKING
	(A)		
		220301	5





DO Protections

gL/gG

DO Fuse holders

Fuse bases for DO1, DO2 and DO3 type fuse links. Available versions for mounting on DIN/EN rail, with screw fixing or for mounting onto busbars. Single-phase or three-pole type. The required non-interchangeability is ensured for fuse links above 6A by the adapter sleeves. This feature ensures that fuse links with a higher rated current than specified cannot be inserted. It is possible to use DO1 fuse links in DO2 fuse bases by means of adapter spring accessory and special sleeves. Manufactured according IEC, EN and VDE standards, with ceramic body and copper or brass contacts.

SINGLE POLE DO FUSE HOLDERS

SIZE	I_n (A)	REFERENCE	MOUNTING TYPE	THREAD	CONNECTION TYPE	PACKING
DO 1	16	210116 ⁽¹⁾	SCREW	E 14	SCREW / SCREW	20
	16	211116 ⁽¹⁾	DIN/EN RAIL	E 14	SCREW / SCREW	20



DO 2	63	210163 ⁽¹⁾	SCREW	E 18	CLAMP / CLAMP	20
	63	211163 ⁽¹⁾	DIN/EN RAIL	E 18	CLAMP / CLAMP	20
	63	210263 ⁽¹⁾	SCREW	E 18	CLAMP / SCREW	20
	63	211263 ⁽¹⁾	DIN/EN RAIL	E 18	CLAMP / SCREW	20
	63	212463 ⁽¹⁾	BUSBAR	E 18	CLAMP / BUSBAR	20
	63	212563-F ⁽²⁾	BUSBAR	E 18	CLAMP / BUSBAR	250
	63	212663 ⁽²⁾	BUSBAR	E 18	CLAMP / BUSBAR	20



DO 3	100	210200 ⁽²⁾	SCREW	M 30x2	CLAMP / CLAMP	10
	100	210201 ⁽²⁾	SCREW	M 30x2	CLAMP / HOLE	10
	100	210202 ⁽²⁾	SCREW	M 30x2	CLAMP / TERMINAL	10
	100	211200 ⁽²⁾	DIN/EN RAIL	M 30x2	CLAMP / CLAMP	10
	100	211201 ⁽²⁾	DIN/EN RAIL	M 30x2	CLAMP / HOLE	10
	100	211202 ⁽²⁾	DIN/EN RAIL	M 30x2	CLAMP / TERMINAL	10
	100	212400 ⁽¹⁾	BUSBAR	M 30x2	CLAMP / BUSBAR	10



(1) Ceramic body
(2) Polyester body

STANDARDS IEC 60269-1 · IEC 60269-3 · IEC 60269-3-1 · EN 60269-1 · EN 60269-3 · VDE 0636

Dimensions pag. 90
Mounting type in DO Fuse holders pag. 91

THREE POLE DO FUSE HOLDERS

SIZE	I _n	REFERENCE	MOUNTING	THREAD	CONNECTION TYPE	PACKING
(A)						
DO 1	16	210316 ⁽¹⁾	SCREW	E 14	SCREW / SCREW	5
	16	211316 ⁽¹⁾	DIN/EN RAIL	E 14	SCREW / SCREW	5
DO 2	63	210363 ⁽¹⁾	SCREW	E 18	CLAMP / CLAMP	5
	63	210463 ⁽¹⁾	SCREW	E 18	CLAMP / SCREW	5
	63	211363 ⁽¹⁾	DIN/EN RAIL	E 18	CLAMP / CLAMP	5
	63	211463 ⁽¹⁾	DIN/EN RAIL	E 18	CLAMP / SCREW	5



(1) Ceramic body

SCREW CAPS

SIZE	I _n	REFERENCE	THREAD	PACKING
(A)				
DO 1	16	210016	E 14	20
DO 2	63	210063	E 18	20
DO 3	100	210100	M 30	10



PROTECTIVE COVERS

SIZE	I _n	REFERENCE	POLES	PACKING
(A)				
DO 1 DO 2	16-63	220063	SINGLE POLE	50/250
DO 2	63	220363	THREE POLES	10
DO 3	100	220100	SINGLE POLE 2 TABS	10
DO 3	100	220101*	SINGLE POLE 1 TAB	10



(*) For busbar fuse holder

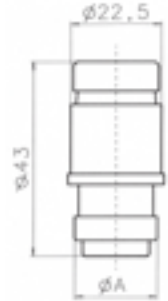


DO Protections

DO Fuse links and Fuse holders [TECHNICAL DATA]

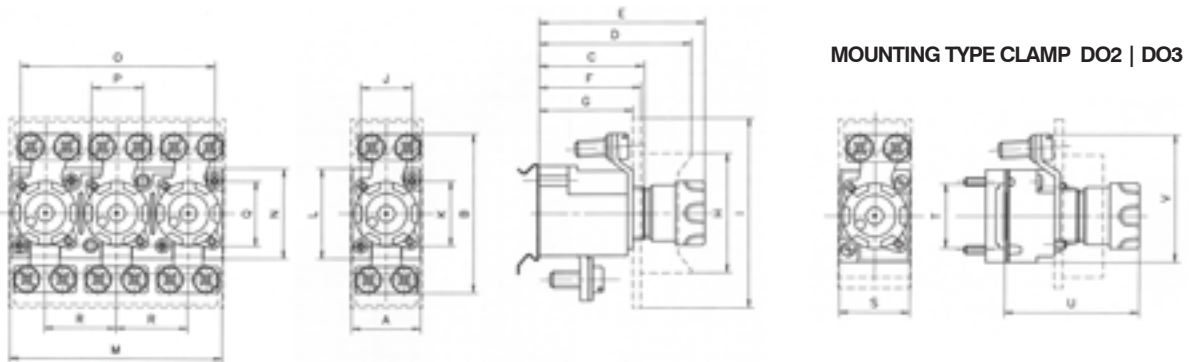
gL/gG

DO FUSE LINKS



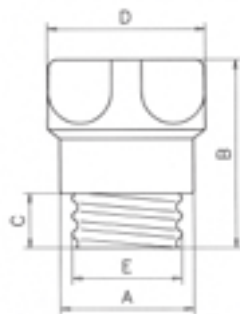
SIZE	DO 1				DO 2					DO 3	
In (A)	2-4-6	10	16	20	25	35	50	63	80	100	
Ø A	7,3	8,5	9,7	10,9	12,1	13,3	14,5	15,9	21,4	24,4	

DO FUSE HOLDERS



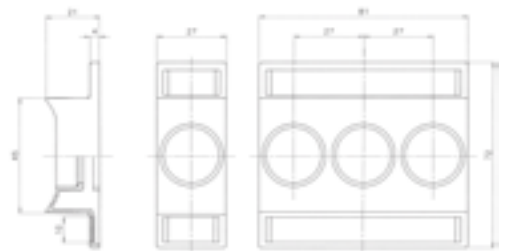
SIZE	A	B	C	D	E	F	G	H	I	J	K	L	M	N	O	P	Q	R	S	T	U	V
DO 1	26,5	53	39,5	45	63	33	32	46	72	20	20	36	81	36	74	20	22	27	-	-	-	-
DO 2	26,5	61	39,5	45	63	33	32	46	72	20	22	34	81	36	74	20	22	27	26,9	20	47	47
DO 3	46	86	45	55	76	37	32	46	83	33	37,5	50	-	-	-	-	-	-	44,5	20	60	70

SCREW CAPS



SIZE	DO 1	DO 2	DO 3
A	19	22	38
B	31	31	36
C	9	9	10
D	26	26	39
E	E 14	E 18	M30x2

PROTECTIVE COVERS



STANDARDS IEC 60269-1 · IEC 60269-3 · IEC 60269-3-1 · EN 60269-1 · EN 60269-3 · VDE 0636

MOUNTING TYPE IN DO FUSE HOLDERS

A - A	B - A	B - B	B - P	B - T	B - C
SCREW	CLAMP	CLAMP	CLAMP	CLAMP	CLAMP
A	B	B	B	B	B
A	A	B	P	T	C
SCREW	SCREW	CLAMP	BUSBAR	HOLE	TERMINAL
DO 1	DO 2	DO 2 - DO 3		DO 3	

t-I CHARACTERISTICS

