



fuse-links & fuse bases

D & DO



D & DO

FUSE-LINKS

D FUSE-LINKS
DO FUSE-LINKS

PAGE 04 |

PAGE 05 |

FUSE BASES

D FUSE BASES
DO FUSE BASES

PAGE 06 |

PAGE 07 |



D FUSE-LINKS

D fuse links gG class for use as general protection against overloads and short circuits, intended as domestic protection or in some industrial equipment. They are available in four sizes (DI, DII, DIII and DIV) with ratings from 2A to 100A and rated voltage of 500V AC. The D fuse links have a indicator device. Manufactured according IEC, EN and VDE standards, with ceramic body and copper or brass contact caps.

www.df-sa.es/D/fuses/

- D I
- D II
- D III
- D IV

	I _n (A)	REFERENCE	U (V)	BREAKING CAPACITY (kA)	PACKING Uni./BOX
D I	2	101002	500	50	20
	4	101004	500	50	20
	6	101006	500	50	20
	10	101010	500	50	20
	16	101016	500	50	20
	20	101020	500	50	20
	25	101025	500	50	20



101002

D II	2	101102	500	50	5/25
	4	101104	500	50	5/25
	6	101106	500	50	5/25
	10	101110	500	50	5/25
	16	101116	500	50	5/25
	20	101120	500	50	5/25
	25	101125	500	50	5/25



101104

D III	35	101135	500	50	5/25
	50	101150	500	50	5/25
	63	101163	500	50	5/25



101135

D IV	80	101180	500	50	10
	100	101100	500	50	10

DO FUSE-LINKS

DO fuse links gG class for use as general protection against overloads and short circuits, intended as domestic protection or in some industrial equipment. They are available in three sizes (DO1, DO2 and DO3) with ratings from 2A to 100A and rated voltage of 400V AC (250V DC). The DO fuse links have a indicator device. Manufactured according IEC, EN and VDE standards, with ceramic body and copper or brass contact caps.

www.df-sa.es/DO/fuses/

DO 1
DO 2
DO 3

	I_n (A)	REFERENCE	U (V)	BREAKING CAPACITY (kA)	PACKING
DO 1	2	201102	400	50	10
	4	201104	400	50	10
	6	201106	400	50	10
	10	201110	400	50	10
	16	201116	400	50	10



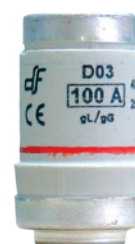
201116

DO 2	20	201120	400	50	10
	25	201125	400	50	10
	35	201135	400	50	10
	50	201150	400	50	10
	63	201163	400	50	10



201163

DO 3	80	201180	400	50	10
	100	201100	400	50	10



201100

STANDARDS	APPROVALS
IEC 60269-1 IEC 60269-3 EN 60269-1 EN 60269-3 VDE 0636	Cd-Pb FREE RoHS compliant

TECHNICAL DIMENSIONS	TECHNICAL t-I CHARACTERISTICS
PAGE 07	PAGE 08

COMPATIBLE DO FUSE BASES
PAGE 05

D FUSE BASES

Fuse bases for D type fuse links. For mounting on DIN/EN rail or with screw fixing. The required non-interchangeability is ensured for fuse links above 6A by the adapter screws. This feature ensures that fuse links with a higher rated current than specified cannot be inserted. Manufactured according IEC, EN and VDE standards, with ceramic body and copper or brass contacts. Covers are included in all models.

www.df-sa.es/D&DO/D/fusebases/

D II
D III

	I _n (A)	U (V)	REFERENCE	MOUNTING TYPE	THREAD	CONNECTION TYPE	PACKING
D II	25	500	111025	SCREW	E 27	SCREW - SCREW	10
	25	500	112025	RAIL	E 27	SCREW - SCREW	10
D III	63	500	111063	SCREW	E 33	CLAMP - CLAMP	10
	63	500	112063	RAIL	E 33	CLAMP - CLAMP	10



111025

D SCREW CAPS

D II
D III

	I _n (A)	REFERENCE	THREAD	PACKING
D II	25	113025	E 27	10
D III	63	113063	E 33	10



113025

D SCREW ADAPTERS

D II
D III

	I _n (A)	REFERENCE	COLOR	THREAD	PACKING
D II	2	121002	pink	E 27	25
	4	121004	brown	E 27	25
	6	121006	green	E 27	25
	10	121010	red	E 27	25
	16	121016	grey	E 27	25
	20	121020	blue	E 27	25
	25	121025	orange	E 27	25
D III	35	121035	black	E 33	25
	50	121050	white	E 33	25
	63	121063	red	E 33	25



121025

DO SINGLE POLE FUSE BASES

DO 1
DO 2
DO 3

Fuse bases for D01, D02 and D03 type fuse links. Available versions for mounting on DIN/EN rail, with screw fixing or for mounting onto busbars. Single-phase or three-pole type. The required non-interchangeability is ensured for fuse links above 6A by the adapter sleeves. This feature ensures that fuse links with a higher rated current than specified cannot be inserted. It is possible to use D01 fuse links in D02 fuse bases by means of adapter spring accessory and special sleeves. Manufactured according IEC, EN and VDE standards, with ceramic body and copper or brass contacts.

www.df-sa.es/D&DO/DO/fusebases/

	I_n (A)	REFERENCE	MOUNTING TYPE	THREAD	CONNECTION TYPE	PACKING
DO 1	16	210116 ⁽¹⁾	SCREW	E 14	SCREW - SCREW	20
	16	211116 ⁽¹⁾	DIN/EN RAIL	E 14	SCREW - SCREW	20



210116

DO 2	63	210163 ⁽¹⁾	SCREW	E 18	CLAMP - CLAMP	20
	63	211163 ⁽¹⁾	DIN/EN RAIL	E 18	CLAMP - CLAMP	20
	63	210263 ⁽¹⁾	SCREW	E 18	CLAMP - SCREW	20
	63	211263 ⁽¹⁾	DIN/EN RAIL	E 18	CLAMP - SCREW	20
	63	212563-F ⁽²⁾	BUSBAR	E 18	CLAMP - BUSBAR	250
	63	212663 ⁽²⁾	BUSBAR	E 18	CLAMP - BUSBAR	20



210263

DO 3	100	210200 ⁽²⁾	SCREW	M 30x2	CLAMP - CLAMP	10
	100	210201 ⁽²⁾	SCREW	M 30x2	CLAMP - HOLE	10
	100	210202 ⁽²⁾	SCREW	M 30x2	CLAMP - TERMINAL	10
	100	211200 ⁽²⁾	DIN/EN RAIL	M 30x2	CLAMP - CLAMP	10
	100	211201 ⁽²⁾	DIN/EN RAIL	M 30x2	CLAMP - HOLE	10
	100	211202 ⁽²⁾	DIN/EN RAIL	M 30x2	CLAMP - TERMINAL	10
	100	212400 ⁽¹⁾	BUSBAR	M 30x2	CLAMP - BUSBAR	10



210200

DO THREE POLE FUSE BASES

www.df-sa.es/D&DO/DO/fusebases/

DO 1
DO 2

	I_n (A)	REFERENCE	MOUNTING TYPE	THREAD	CONNECTION TYPE	PACKING
DO 1	16	210316 ⁽¹⁾	SCREW	E 14	SCREW - SCREW	5
	16	211316 ⁽¹⁾	DIN/EN RAIL	E 14	SCREW - SCREW	5
DO 2	63	210363 ⁽¹⁾	SCREW	E 18	CLAMP - CLAMP	5
	63	210463 ⁽¹⁾	SCREW	E 18	CLAMP - SCREW	5
	63	211363 ⁽¹⁾	DIN/EN RAIL	E 18	CLAMP - CLAMP	5
	63	211463 ⁽¹⁾	DIN/EN RAIL	E 18	CLAMP - SCREW	5



210363

⁽¹⁾ Ceramic body
⁽²⁾ Polyester body

DO SCREW CAPS

	I_n (A)	REFERENCE	THREAD	PACKING
DO 1	16	210016	E 14	20
DO 2	63	210063	E 18	20
DO 3	100	210100	M 30	20



210016

DO PROTECTIVE COVERS

	I_n (A)	REFERENCE	THREAD	POLES	PACKING Uni./BOX
DO 1 DO 2	16-63	220063	E 14	SINGLE POLE	50/250
DO 1 DO 2	63	220363	E 18	THREE POLE	10
DO 3	100	220100	M 30	SINGLE POLE 2 TABS	10
	100	220101*	M 30	SINGLE POLE 1 TAB	10



220063

* For busbar fuse base

DO GAUGE RINGS

	I_n (A)	REFERENCE	COLOR	THREAD	PACKING
DO 1	2	220102	pink	E 14	5
	4	220104	brown	E 14	5
	6	220106	green	E 14	5
	10	220110	red	E 14	5
DO 2	20	220120	blue	E 18	5
	25	220125	yellow	E 18	5
	35	220135	black	E 18	5
	50	220150	white	E 18	5



220110

DO ADAPTER RINGS (for use DO 1 fuse-links in DO 2 fuse bases)

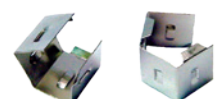
	I_n (A)	REFERENCE	PACKING
DO 1	2	220202	5
	4	220204	5
	6	220206	5
	10	220210	5
	16	220216	5



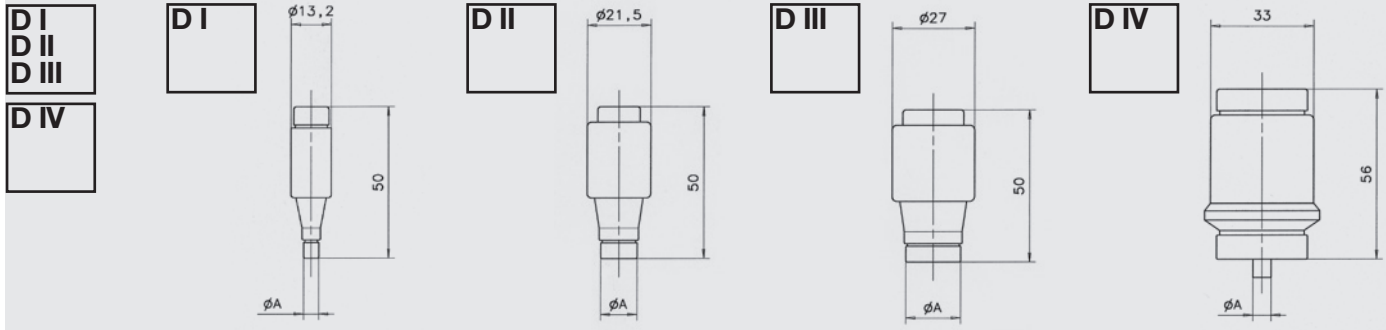
220202

DO RETAINING SPRING (for use DO 1 fuse-links in DO 2 fuse bases)

REFERENCE	PACKING
220301	5

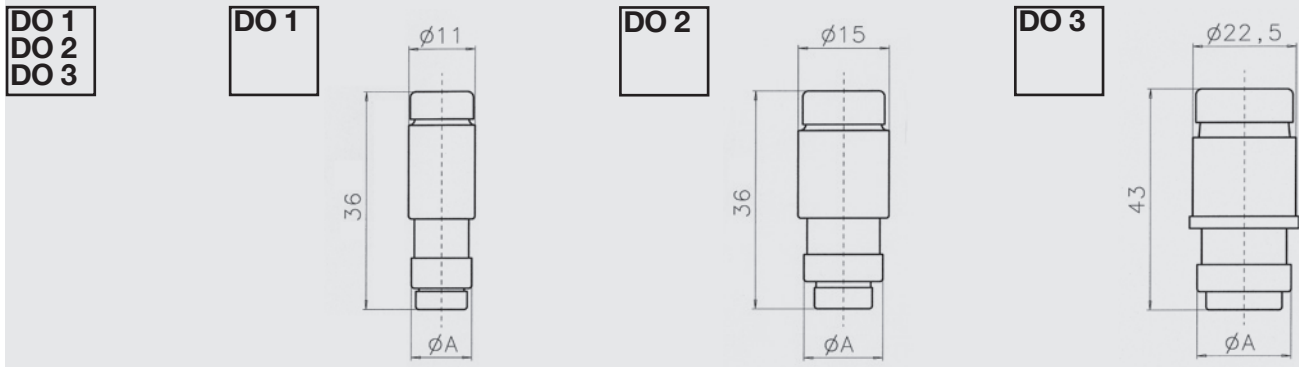


TECHNICAL
D FUSE-LINKS
DIMENSIONS



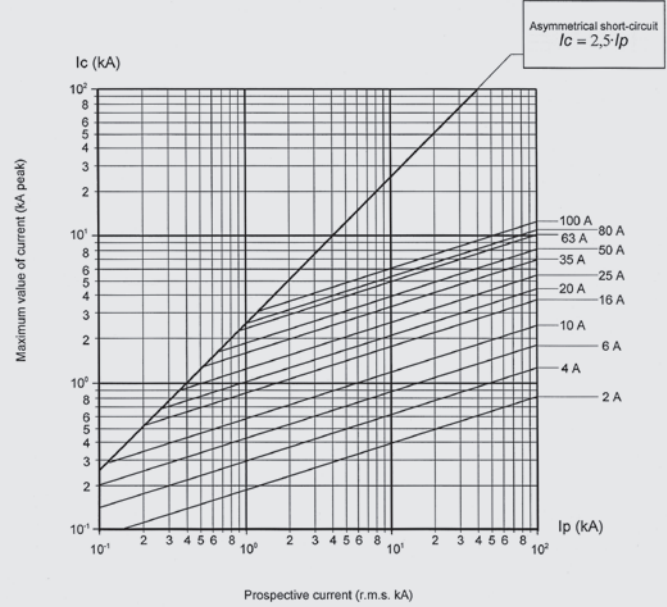
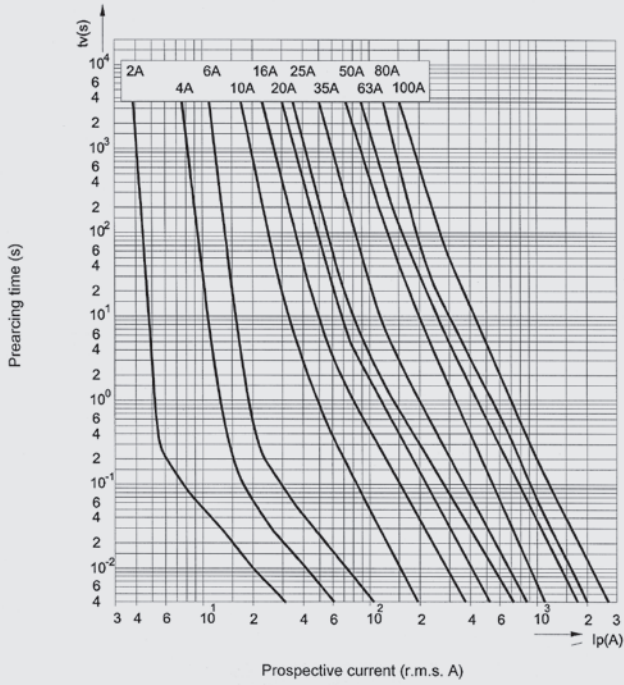
In (A)	̸ A (mm)			
	D I	D II	D III	D IV
2-4-6	6	6	-	-
10	8	8	-	-
16	10	10	-	-
20	12	12	-	-
25	14	14	-	-
35	-	-	16	-
50	-	-	18	-
63	-	-	20	-
80	-	-	-	5
100	-	-	-	7

TECHNICAL
DO FUSE-LINKS
DIMENSIONS

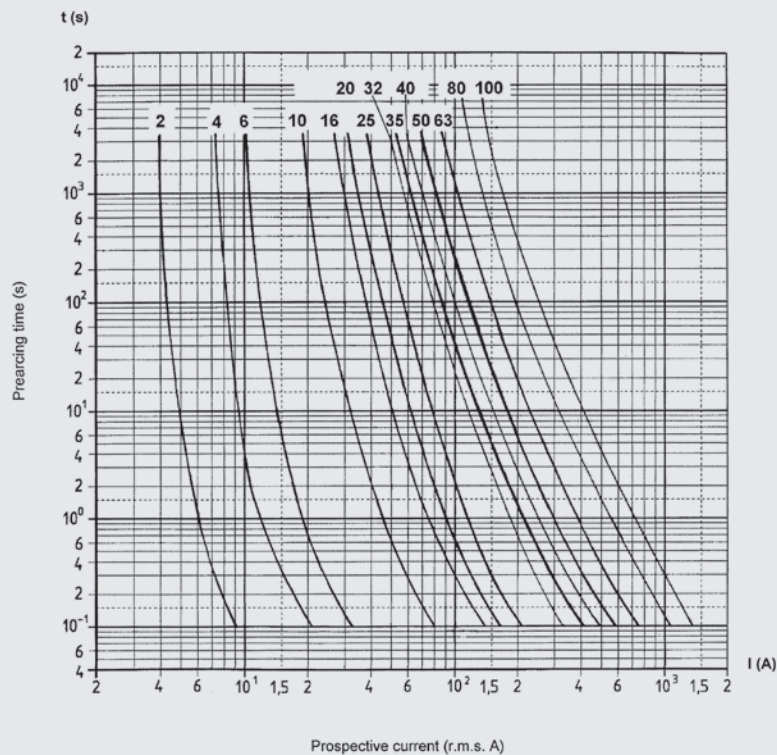


In (A)	̸ A (mm)		
	DO 1	DO 2	DO 3
2-4-6	7,3	-	-
10	8,5	-	-
16	9,7	-	-
20	-	10,9	-
25	-	12,1	-
35	-	13,3	-
50	-	14,5	-
63	-	15,9	-
80	-	-	21,4
100	-	-	24,4

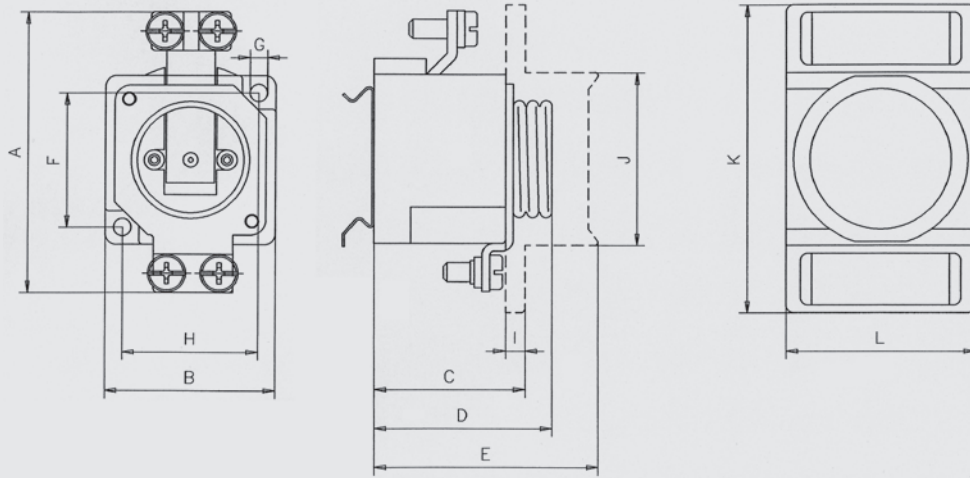
TECHNICAL
D FUSE-LINKS
t-I & CUT-OFF CHARACTERISTICS



TECHNICAL
DO FUSE-LINKS
t-I CHARACTERISTICS

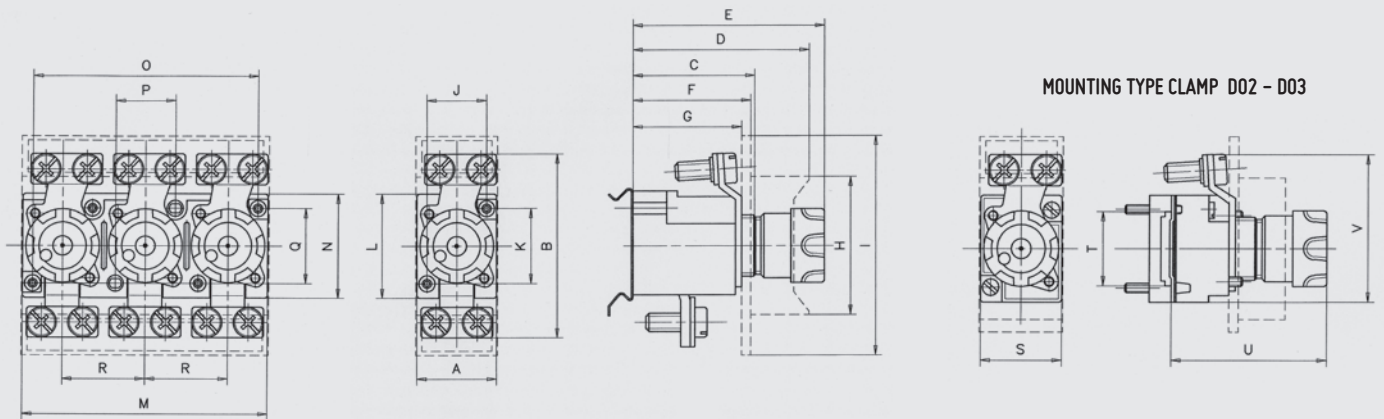


TECHNICAL
D FUSE BASES
DIMENSIONS



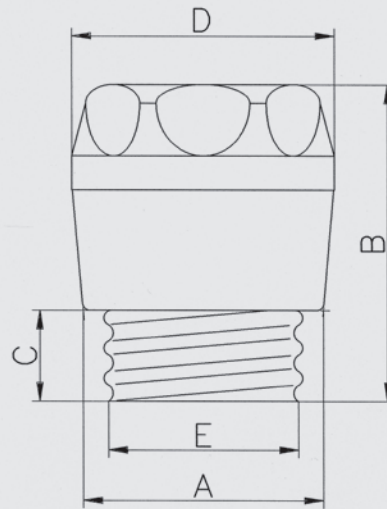
SIZE	A	B	C	D	E	F	G	H	I	J	K	L
D II	61	36	39	47	58	28,5	4,5	28,5	5	45	80	40
D III	77	44	39	46	58	35	4,5	35	5	45	80	49

TECHNICAL
DO FUSE BASES
DIMENSIONS



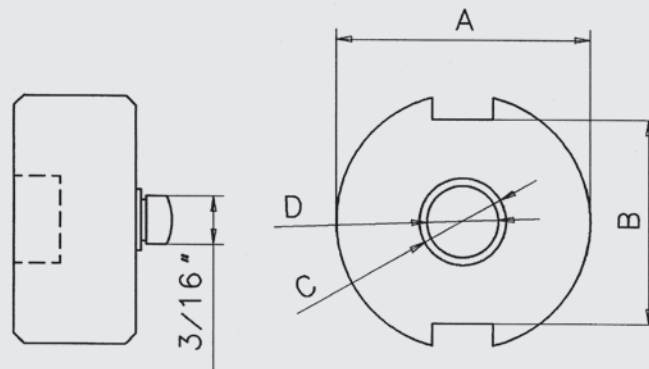
SIZE	A	B	C	D	E	F	G	H	I	J	K	L	M	N	O	P	Q	R	S	T	U	V
D01	26,5	53	39,5	45	63	33	32	46	72	20	20	36	81	36	74	20	22	27	-	-	-	-
D02	26,5	61	39,5	45	63	33	32	46	72	20	22	34	81	36	74	20	22	27	26,9	20	47	47
D03	46	86	45	55	76	37	32	46	83	33	37,5	50	-	-	-	-	-	-	44,5	20	60	70

TECHNICAL
D SCREW CAPS
DIMENSIONS



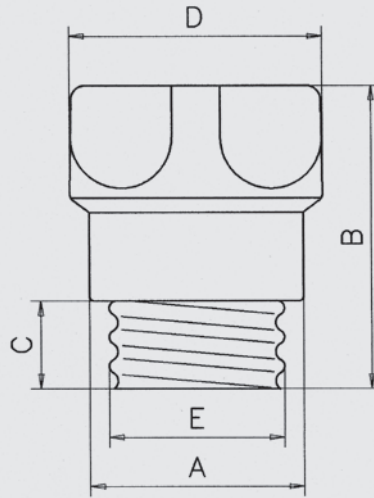
SIZE	A	B	C	D	E
D II	32	42	12	35	E 27
D III	40	44	12	42	E 33

TECHNICAL
D SCREW ADAPTERS
DIMENSIONS



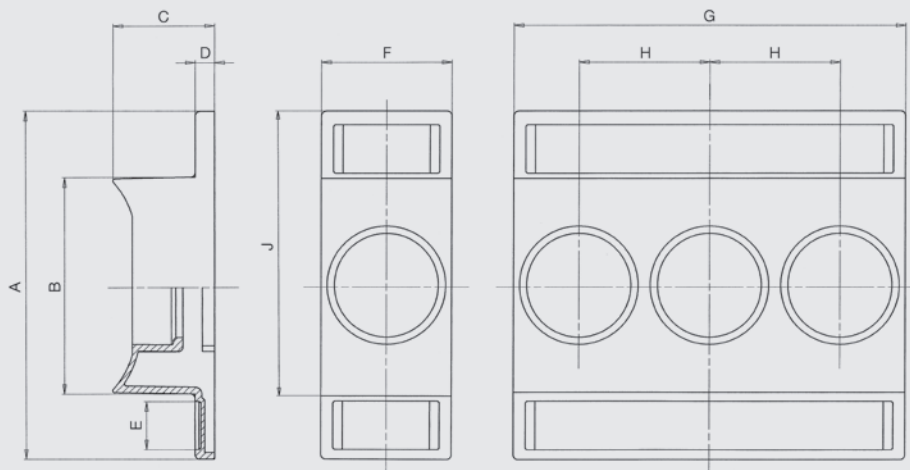
In (A)	D II					D III				
	∅ A	B (mm)	∅ C	∅ D	COLOR	∅ A	B (mm)	∅ C	∅ D	COLOR
2	25	20	6,5	5	●	-	-	-	-	-
4	25	20	6,5	5	●	-	-	-	-	-
6	25	20	6,5	5	●	-	-	-	-	-
10	25	20	8,5	7	●	-	-	-	-	-
16	25	20	10,5	9	●	-	-	-	-	-
20	25	20	12,5	10	●	-	-	-	-	-
25	25	20	14,5	10	●	-	-	-	-	-
35	-	-	-	-	-	30	26	16,5	15,5	●
50	-	-	-	-	-	30	26	18,5	15,5	○
63	-	-	-	-	-	30	26	20,5	15,5	●

TECHNICAL
DO SCREW CAPS
DIMENSIONS



SIZE	A	B	C	D	E
DO 1	19	31	9	26	E 14
DO 2	22	31	9	26	E 18
DO 3	38	36	10	39	M30x2

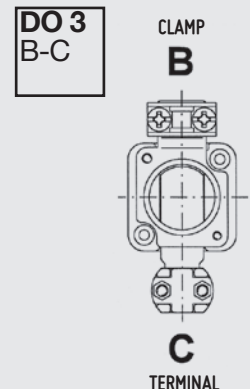
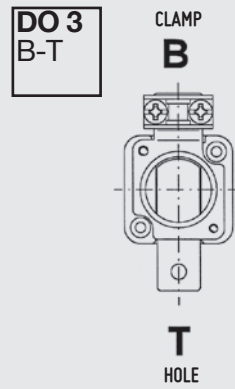
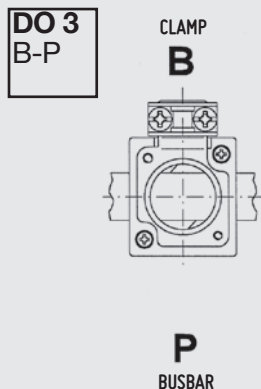
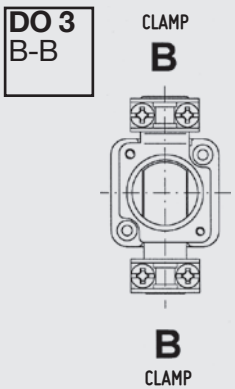
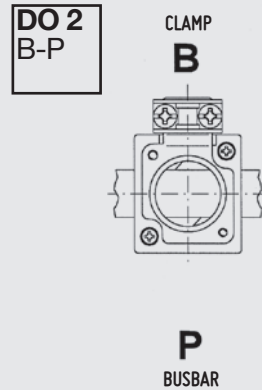
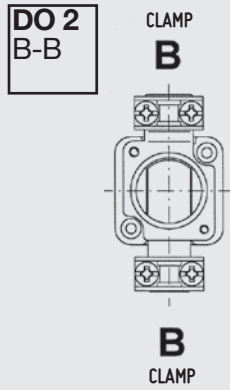
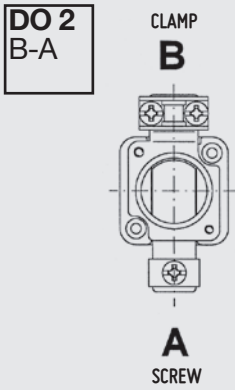
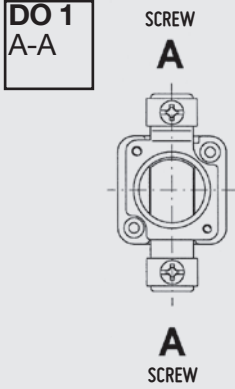
TECHNICAL
DO PROTECTIVE COVERS
DIMENSIONS



SIZE	A	B	C	D	E	F	G	H	J
DO 1 - DO 2	72	45	21	4	10	27	81	27	-
DO 3 (BUSBAR CONNECTION)	-	44	18	5,5	13,5	44	-	-	67,5
DO 3	83	44	18	5,5	13,5	44	-	-	-

TECHNICAL
DO FUSE BASES
 MOUNTING TYPE

- DO 1
- DO 2
- DO 3





HEAD OFFICE & FACTORY

SILICI, 67-69
08940 CORNELLA DE LLOBREGAT
BARCELONA
SPAIN
Tel. +34 93 377 85 85
Fax +34 93 377 82 82

EXPORT SALES

Tel. +34 93 475 08 64
Fax +34 93 480 07 75
export@df-sa.es

NATIONAL SALES

Tel. 93 475 08 64
Fax 93 480 07 76
comercial@df-sa.es

www.df-sa.es/D&DO/